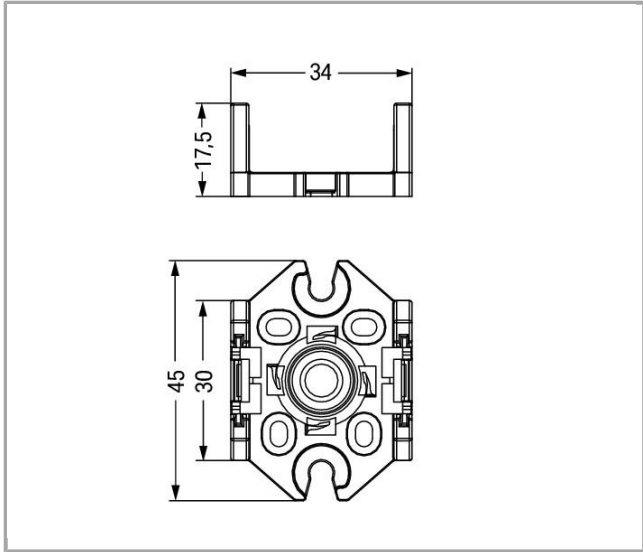


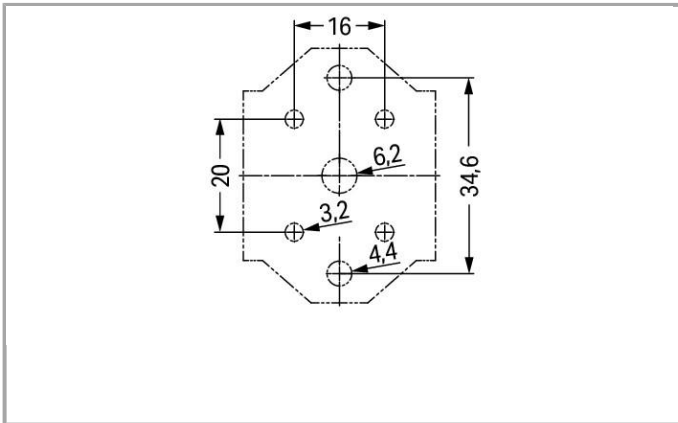
770-673



RoHS  
Compliant ✓

[BOMcheck.net](https://www.bomcheck.net)

Color:



### Data

#### Electrical data

Note on Contact Resistance

approx. 1mΩ contact resistance

approx. 0.25mΩ contact transition plug/socket

## Mechanical data

Mounting type	Screw mounting
Protection class	IP20
Note on protection class	Only in mated condition with strain relief housing (These compact connectors are not designed for use in open, easily accessible areas.)

## Plug connection

Mismatching protection	Yes
Locking of plug-in connection	locking lever

## Material Data

Color	white
Insulating material	Polyamide 66 (PA 66)
Flammability class per UL94	V0
Contact material	Copper or copper alloy, surface-treated
Fire load	0.147 MJ
Weight	4.89 g

## Environmental Requirements

Surrounding air (operating) temperature	-35 ... 85 °C
Processing temperature	-5 ... +40 °C
Continuous operating temperature	-35 ... +85 °C
Note on Continuous Service Temperature	Insulating parts for temperatures $\leq 105$ °C

## Commercial data

Product Group	20 (WINSTA)
Country of origin	DE
GTIN	4017332755542
Customs Tariff No.	39269097900

## Compatible products

### assembling



**Item no.: 770-601**  
Fixing pin; 6 mm  $\varnothing$ , for 1.0 ... 2.5 mm mounting plates; Plastic

770-601



**Item no.: 890-601**  
Fixing pin; 6 mm  $\varnothing$ , for 1.0 ... 2.5 mm mounting plates; Plastic

890-601



Downloads

Documentation

Bid Text

---

770-673	Apr 4, 2012	doc	Download
WINSTA Zubehoer		23.0 kB	

---

CAD/CAE - Smart Data

CAD data

---

3D Download 770-673	URL	Download
---------------------	-----	----------

---

Subject to changes.

---